



# CorePro LEDbulbs

## CorePro LEDbulb 5.5-40W 865 E27

CorePro LEDbulbs are compatible with existing fixtures with an E27 or B22 holder and are designed for retrofit replacement of incandescent bulbs. They deliver huge energy savings and minimize maintenance cost. The CorePro LED bulb is the perfect bulb for your basic lighting needs. It provides the beautiful light and dependable performance you expect from LED at an affordable price.

### Product data

General Information		Wattage Equivalent	
Cap-Base	E27 [ E27]		40 W
Nominal Lifetime (Nom)	15000 h	Starting Time (Nom)	0.5 s
Switching Cycle	50000X	Warm Up Time to 60% Light (Nom)	0.5 s
Technical Type	5-40W	Power Factor (Nom)	0.5
		Voltage (Nom)	220-240 V
Light Technical		Temperature	
Color Code	865 [ CCT of 6500K]	T-Case Maximum (Nom)	84 °C
Beam Angle (Nom)	200 °		
Luminous Flux (Nom)	470 lm	Controls and Dimming	
Luminous Flux (Rated) (Nom)	470 lm	Dimmable	No
Color Designation	Cool Daylight	Mechanical and Housing	
Correlated Color Temperature (Nom)	6500 K	Bulb Finish	Frosted
Luminous Efficacy (Rated) (Nom)	94.00 lm/W	Approval and Application	
Color Consistency	<6	Energy Saving Product	Yes
Color Rendering Index (Nom)	80	Suitable For Accent Lighting	No
LLMF At End Of Nominal Lifetime (Nom)	70 %	Energy Efficiency Label (EEL)	A+
		Energy Consumption kWh/1000 h	5 kWh
Operating and Electrical			
Input Frequency	50 to 60 Hz		
Power (Rated) (Nom)	5 W		
Lamp Current (Nom)	55 mA		

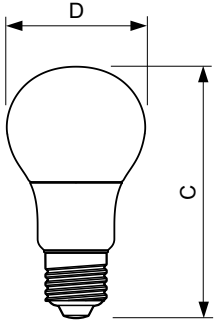
# CorePro LEDbulbs

## Product Data

Full product code	871869649762300
Order product name	CorePro LEDbulb 5.5-40W 865 E27
EAN/UPC - Product	8718696497623
Order code	929001163502
Numerator - Quantity Per Pack	1

Numerator - Packs per outer box	10
Material Nr. (12NC)	929001163502
Net Weight (Piece)	0.076 kg

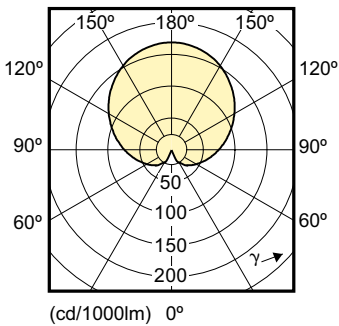
## Dimensional drawing



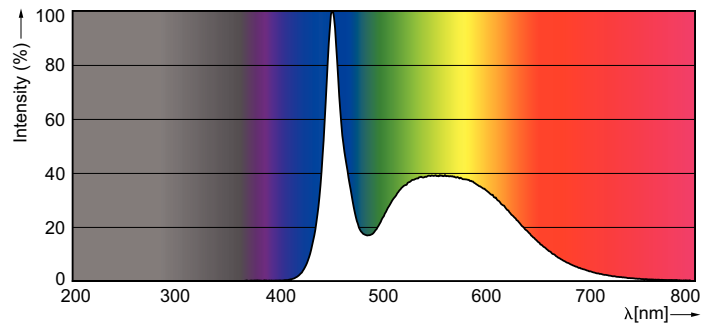
LED 5.5-40W E27 865

Product	D	C
CorePro LEDbulb 5.5-40W 865 E27	60 mm	110 mm

## Photometric data



5.5-40W A60 E27 /865



A60 /865 FR

